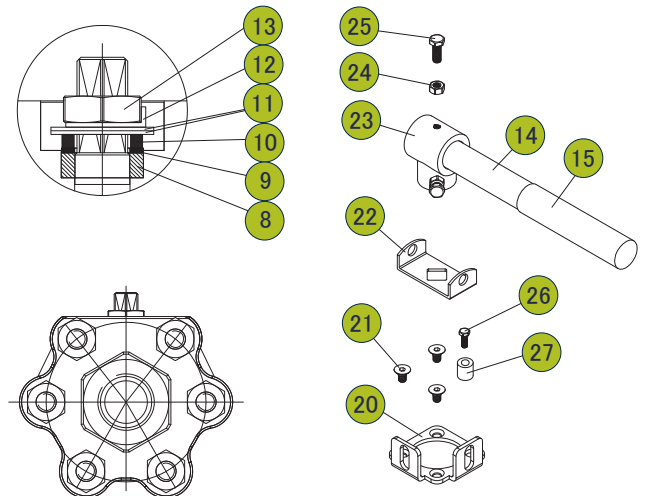
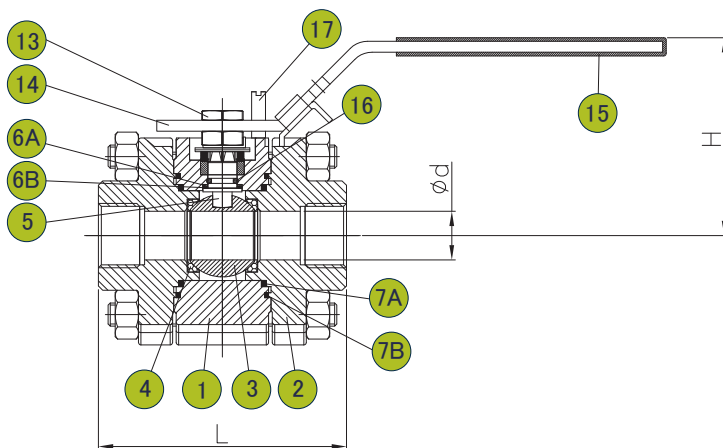
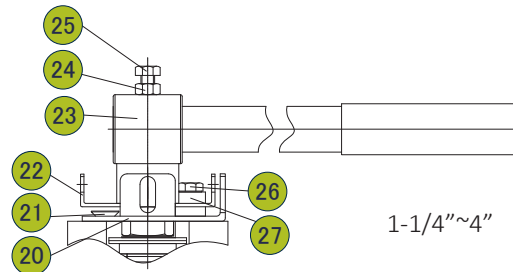
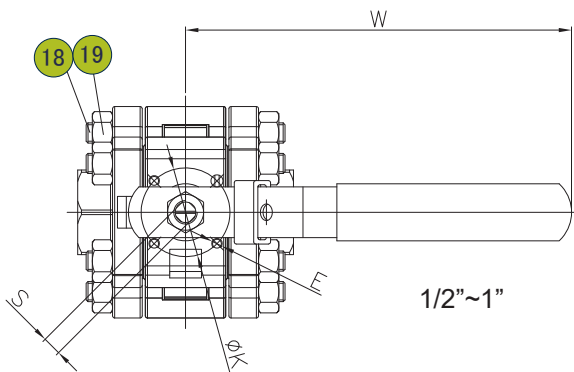


THREE-PIECE HIGH PRESSURE BALL VALVE

Model : Series HP32-3600 Standard Port

CASTING

- **Body Material**
CF8M, WCB
- **Size Range**
3" - 4" (DN80-DN100)
- **Pressure Rating**
3600 PSI@100°F; 150 PSI Saturated Steam
- **End Connection**
Female threaded to NPT, DIN 259/2999, ISO 228-1, ISO7-1, etc.
Other connections available upon request.
- **Temperature Range**
-4°F to 464°F (-20°C to 240°C) with Delrin seats
- **Features:**
Rugged 3-piece design withstands high temperature and pressure.
Enclosed bolt design sustains high stress and thermal shock.
Integral ISO 5211 drilling for double & spring return actuator.
Self-adjusting stem packing assembly with Belleville spring for temperature fluctuations, and vibration.
Thrust washer prevents galling, reduces torque and provides secondary stem seal.
Long cycle life, low uniform torques.
Bottom entry blow-out proof stem design provides maximum safety.
EN 10204-3.1 material certificate available.



1

DIE ERSTE reserves the right to change product design and specifications without notice. Copyright © 2020 by DIE ERSTE INDUSTRY CO., LTD.

THREE-PIECE HIGH PRESSURE BALL VALVE

Model : Series HP32-3600 Standard Port

CASTING

Materials List :

NO.	PART NAME	MATERIAL
1	BODY	CF8M / WCB
2	CAP	CF8M / WCB
3	BALL	CF8M
4	BALL SEAT	PTFE
5	STEM	17-4PH
6A	THRUST WASHER	GRAPHITE
6B	THRUST WASHER	PTFE
7A	BODY SEAL	GRAPHITE
7B	BODY SEAL	PTFE
8	STEM PACKING	GRAPHITE
9	THRUST WASHER	TFM 1600
10	GLAND	SS304
11	BELLEVILLE WASHER	SS304 CSP
12	LOCK SADDLE	SS304
13	STEM NUT	SS304
14	HANDLE	SS304
15	HANDLE SLEEVE	VINYL
16	O-RING	VITON
17	STOP PIN	SS304
18	BOLT	SS304 / SCM440
19	BOLT NUT	SS304 / S45C
20	STOP PLATE	SS304
21	STOP PLATE BOLT	SS304
22	UPPER STOP PLATE	SS304
23	ADAPTER	CF8
24	NUT	A2-70
25	BOLT	A2-70
26	STOP PIN BOLT	A2-70
27	STOP PIN NUT	A2-70

Dimensions (mm):

SIZE		d	L	H	W	S	K	E
in	DN							
3"	80	65.0	198.0	162	477	17	70	M8
4"	100	80.0	222.4	177	477	17	70	M8

Note: Other sizes upon request.